



# DAC40- Series

# AC/DC 40 Watt Single Output



Available in Wide range of output VDC  
Isolated output 3000VAC  
Internal Input Filter  
Up to 88% Efficiency  
Encapsulated compact size 3" X2"  
EN62368-1, CE recognized  
ITE & AC Motor Applications  
3 year Warranty



		UNIT		
<b>INPUT</b>	<b>Voltage/Freq</b>	V	Universal Input voltage AC 100V ~ 240V	47 ~ 63Hz
	<b>Voltage Range</b>	A	AC 90V ~ 264V DC 120 ~370 V	
	<b>Min. Load</b>	-	0%	
	<b>Inrush Current</b>	A	115V 12A (Ta=25°C, Io=100% at cold Start ); 230V 20A (Ta=25°C, Io=100% at cold Start )	
	<b>Input Fuse</b>		VDE/UL/CCC FUSE 2.5A/250V (Slow blow)	

		UNIT	DAC40-3.3	DAC40-5	DAC40-6	DAC40-7
<b>OUTPUT</b>	<b>Nominal Voltage</b>	VDC	3.3	5	6	7
	<b>Efficiency typ</b>	%	72	75	78	80
	<b>Current</b>	A	8.00	8.00	6.65	5.7
	<b>Transient Recovery time</b>	us	Vi nom, Io nom = ←→0.5 Io nom Typ. 1000us			
	<b>Line Regulation</b>	%	+/-1%	+/-1%	+/-1%	+/-1%
	<b>Load Regulation</b>	%	+/-2%	+/-2%	+/-2%	+/-2%
	<b>Ripple Noise 20MHz BW full load</b>	mVp-p	150	150	150	150
	<b>Voltage Accuracy</b>	%	3	3	3	3
	<b>Over Load Protection</b>	-	Above 110% rated output power Protection type: Recovers automatically after fault condition is removed			
	<b>Short Circuit Protection</b>	-	CONT. Auto Recovery			
<b>OverVoltage (Main Output)</b>		120%-150% rated output Voltage		Protection type: Zener diode clamp		





		UNIT	DAC40-8	DAC40-9	DAC40-10	DAC40-12
<b>OUTPUT</b>	<b>Nominal Voltage</b>	VDC	8	9	10	12
	<b>Efficiency typ</b>	%	80	82	82	84
	<b>Current</b>	A	5	4.40	4.00	3.50
	<b>Transient Recovery time</b>	us	Vi nom, lo nom = $\leftarrow\rightarrow$ 0.5 lo nom Typ. 1000us			
	<b>Line Regulation</b>	%	+/-1%	+/-1%	+/-1%	+/-1%
	<b>Load Regulation</b>	%	+/-2%	+/-2%	+/-2%	+/-2%
	<b>Ripple Noise 20MHz BW full load</b>	mVp-p	150	150	150	150
	<b>Voltage Accuracy</b>	%	3	3	2	2
	<b>Over Load Protection</b> -		Above 110% rated output power Protection type: Recovers automatically after fault condition is removed			
	<b>Short Circuit Protection</b> -		CONT. Auto Recovery			
<b>OverVoltage (Main Output)</b>		120%-150% rated output Voltage	Protection type: Zener diode clamp			

		UNIT	DAC40-13	DAC40-14	DAC40-15	DAC40-16
<b>OUTPUT</b>	<b>Nominal Voltage</b>	VDC	13	14	15	16
	<b>Efficiency typ</b>	%	84	84	84	85
	<b>Current</b>	A	3.20	3.00	2.80	2.625
	<b>Transient Recovery time</b>	us	Vi nom, lo nom = $\leftarrow\rightarrow$ 0.5 lo nom Typ. 1000us			
	<b>Line Regulation</b>	%	+/-1%	+/-1%	+/-1%	+/-1%
	<b>Load Regulation</b>	%	+/-2%	+/-2%	+/-2%	+/-2%
	<b>Ripple Noise 20MHz BW full load</b>	mVp-p	150	150	150	150
	<b>Voltage Accuracy</b>	%	2	2	2	2
	<b>Over Load Protection</b> -		Above 110% rated output power Protection type: Recovers automatically after fault condition is removed			
	<b>Short Circuit Protection</b> -		CONT. Auto Recovery			
<b>OverVoltage (Main Output)</b>		120%-150% rated output Voltage	Protection type: Zener diode clamp			

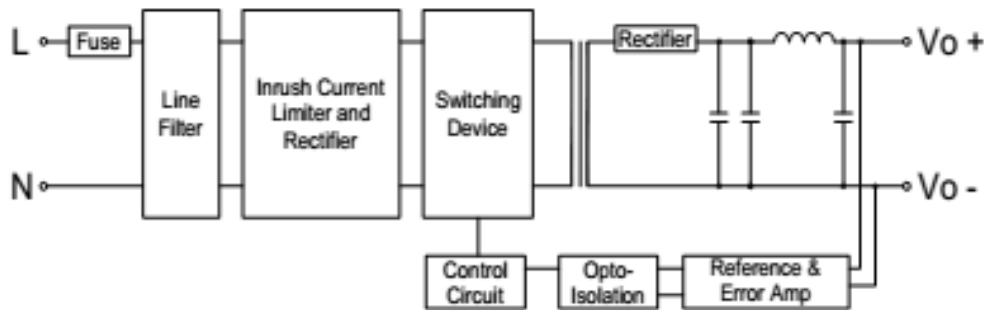




		DAC40-18	DAC40-24	DAC40-27	DAC40-36	DAC40-48	
<b>OUTPUT</b>	<b>Nominal Voltage</b>	VDC	18	24	27	36	48
	<b>Efficiency typ</b>	%	85	86	86	86	88
	<b>Current</b>	A	2.30	1.75	1.55	1.20	1.00
	<b>Transient Recovery time</b>	us	Vi nom, Io nom = $\leftrightarrow$ 0.5 Io nom Typ. 1000us				
	<b>Line Regulation</b>	%	+/-1%	+/-1%	+/-1%	+/-1%	+/-1%
	<b>Load Regulation</b>	%	+/-2%	+/-2%	+/-2%	+/-2%	+/-2%
	<b>Ripple Noise 20MHz BW full load</b>	mVp-p	200	240	240	240	240
	<b>Voltage Accuracy</b>	%	2	2	2	2	2
	<b>Over Load Protection</b>	Above 110% rated output power Protection type: Recovers automatically after fault condition is removed					
	<b>Short Circuit Protection</b>	CONT. Auto Recovery					

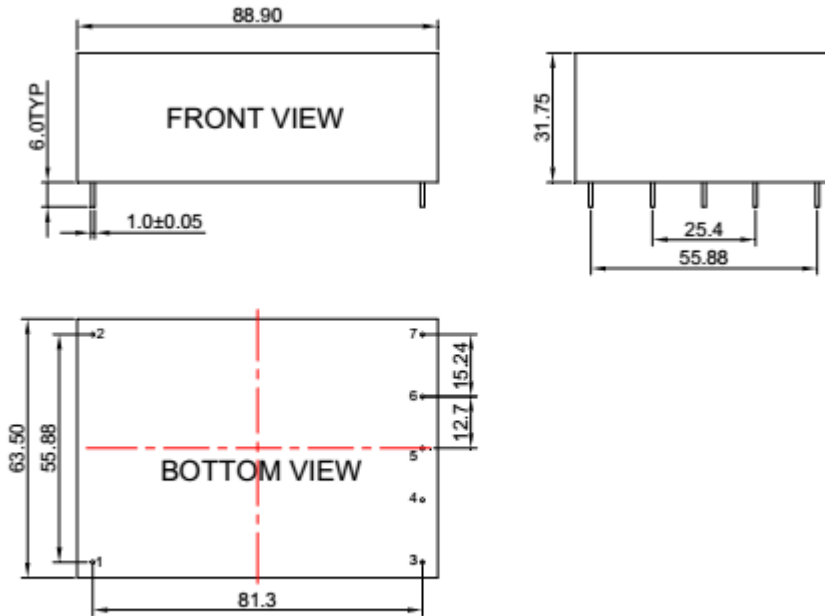
<b>Isolation</b>	<b>Isolation Voltage</b>	Input / Output 3KVac/ 5mA/5Secs
	<b>Switching Frequency</b>	65 KHz
	<b>Isolation Resistance</b>	Input / Output, @500 Vdc 100MΩ
<b>Environment</b>	<b>Operating Temp/Hum.</b>	-20~ +70°C
	<b>Storage Temp/Hum.</b>	-40 ~ +85°C HUMIDITY 95% 5RH%
	<b>Derating</b>	Vi nom, Io nom +51 to 71°C 2 %/°C
<b>Safety</b>	<b>CE EMI Conduction &amp; Radiation</b>	EN62368-1 Compliance to EN55022
	<b>EMS Immunity</b>	Compliance to EN55024
<b>Size</b>	<b>MM</b>	88.9 X 63.5 X 31.75 (mm) 3.5" X 2.5" X 1.25"

## BLOCK DIAGRAM





**DIMENSIONAL DRAWING (mm)**



**PIN OUT**

PIN	Single
1	ACN
2	ACL
3	+Vo
4	NO PIN
5	-Vo
6	NO PIN
7	NC

Unit : mm Unless otherwise specified, all tolerances are  $\pm 0.50$

**OUTPUT DERATING CURVE (Temperature)**

